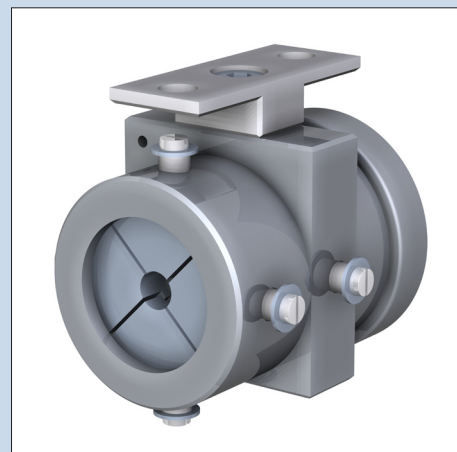


4-Sector Faraday Cup

name	4-Sector Faraday Cup
category	Ion Beam Diagnostics
catalog no.	22004
description	4-Sector Faraday Cup with 4-Segment aperture, separately and simultaneously measurable



detailed description

Stainless steel Faraday cup for current and charge measurement of ions and electrons.

The current and charge can be measured behind the central aperture and at the four sectors of the entrance aperture as well as at the housing.

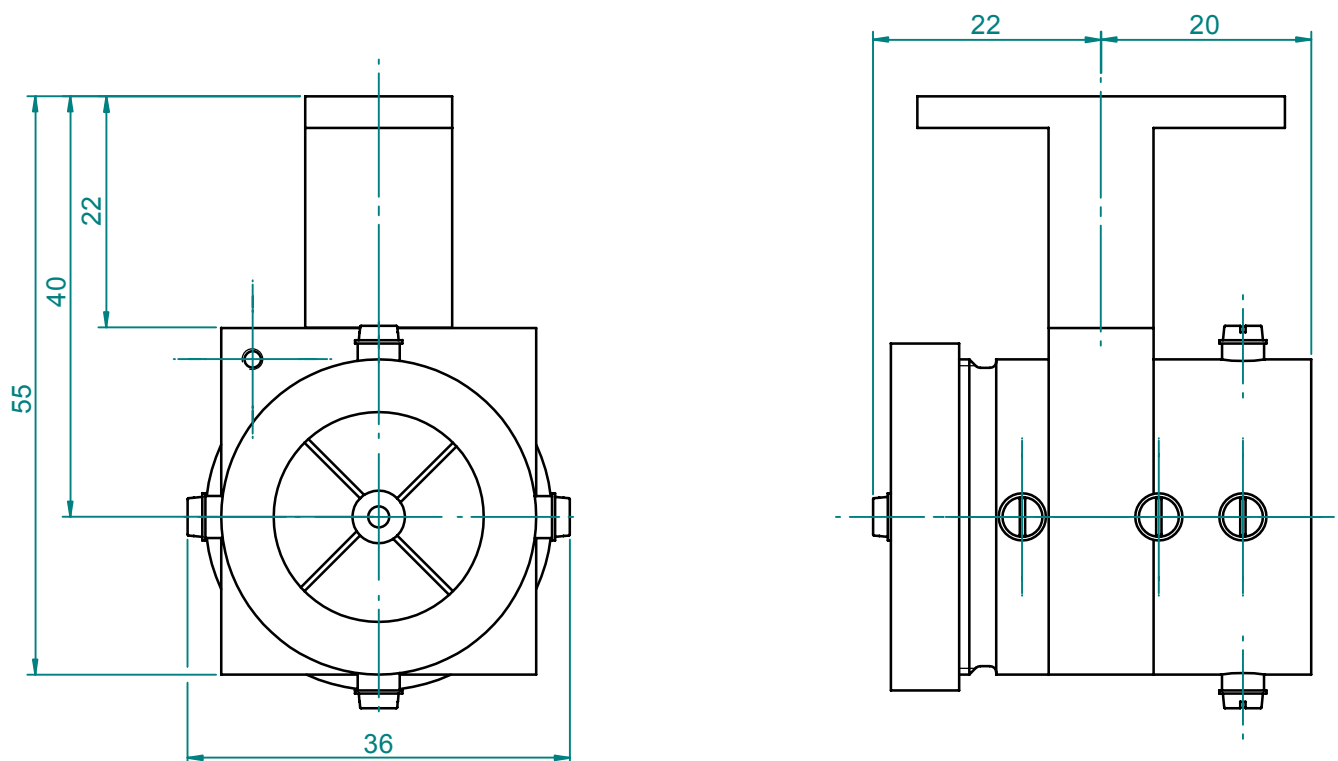
A two-step central aperture allows for an additional measurement behind a second aperture with reduced diameter.

Suppressor electrodes serve for the suppression of secondary electrons.

- Size of Faraday cup, 4-sector aperture, and central aperture upon customers specification

Faraday cup mounting as end cup or in-beam travel

4-Sector Faraday Cup



* All dimensions given in mm

** All dimensions can be changed upon customer's request

delivery contents

Accessories:

- vacuum chamber
- mechanical and electric feedthroughs
- voltage supply for suppressor electrodes
- picoamperemeter for current measurement
- switch system for picoamperemeter for simultaneous current measurement at the cups, at the four aperture sectors as well as at the housing
- electrometer for charge measurement
- amplifier (current voltage converter)
- control and readout software